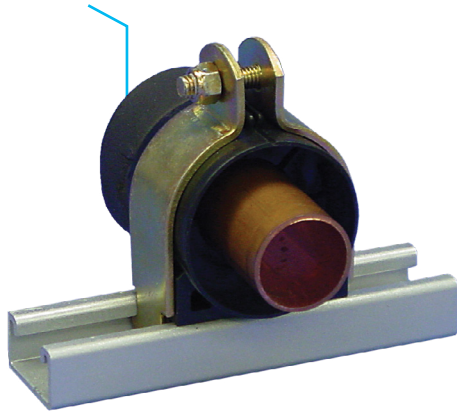


Strut Clamp for Elastomeric Insulated Tube or Pipe Fig. ASCTK7



Specifications

Materials:

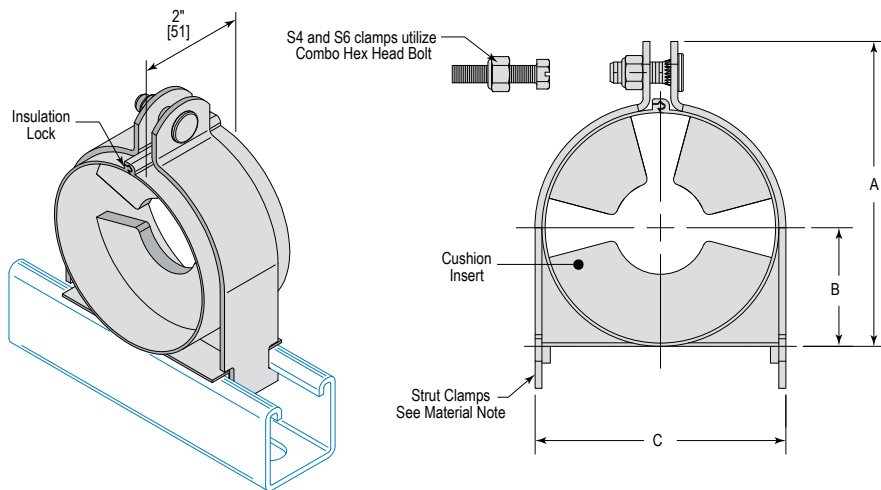
Clamp: ASTM A1011-00 SS GR 33 or
ASTM A1011-00CS Type B
Coupling: TPO-247 UV black 0.90 g/cm3

Approvals:

UL 2043 Fire Test for Heat and Visible Smoke
Release - 25/50 Flame Spread/Smoke
Development Index

Description

The ASCTK7 insulation clamp is designed for use with elastomeric insulation. The insulation coupling allows for a continuous vapor barrier, protecting against corrosion and mold.



PROJECT INFORMATION	APPROVAL STAMP
Project:	Approved
Address:	Approved as noted
Contractor:	Not approved
Engineer:	Remarks:
Submittal Date:	
Notes 1:	
Notes 2:	

Strut Clamp for Elastomeric Insulated Tube or Pipe Fig. ASCTK7

Insulation Wall Thickness	Clamp ID	Tube OD	Pipe Size*	A	B	C
3/8	1.125	1/4	-	1.980	0.563	1.262
3/8	1.25	3/8	-	2.109	0.625	1.378
3/8	1.375	1/2	-	2.237	0.688	1.512
3/8	1.5	5/8	1/4	2.364	0.750	1.637
3/8	1.625	3/4	-	2.492	0.813	1.762
3/8	1.75	7/8	1/2	2.726	0.875	1.954
3/8	1.875	1	3/4	2.855	0.983	2.079
3/8	2	1 1/8	3/4	2.983	1.000	2.204
3/8	2.25	1 3/8	1	3.238	1.125	2.454
3/8	2.5	1 5/8	1 1/4	3.492	1.250	2.704
3/8	3	2 1/8	1 1/2	3.999	1.500	3.204
1/2	1.5	3/8	-	2.364	0.750	1.637
1/2	1.625	1/2	-	2.492	0.813	1.762
1/2	1.75	5/8	1/4	2.726	0.875	1.954
1/2	1.875	3/4	-	2.855	0.983	2.079
1/2	2	7/8	1/2	2.983	1.000	2.204
1/2	2.125	1	3/4	3.111	1.063	2.329
1/2	2.25	1 1/8	3/4	3.238	1.125	2.454
1/2	2.5	1 3/8	1	3.492	1.250	2.704
1/2	2.75	1 5/8	1 1/4	3.746	1.375	2.954
1/2	3.25	2 1/8	1 1/2	4.252	1.625	3.454
1/2	3.75	2 5/8	2	4.817	1.875	3.980
1/2	4.25	3 1/8	2 1/2	5.321	2.125	4.480
1/2	5.25	4 1/8	3 1/2	6.328	2.625	5.480
3/4	1.875	1/4	-	2.855	0.938	2.079
3/4	2	3/8	-	2.983	1.000	2.204
3/4	2.125	1/2	-	3.111	1.063	2.329
3/4	2.25	5/8	1/4	3.238	1.125	2.454
3/4	2.375	3/4	-	3.365	1.188	2.579
3/4	2.5	7/8	1/2	3.492	1.250	2.704
3/4	2.75	1 1/8	3/4	3.746	1.375	2.954
3/4	3	1 3/8	1	3.999	1.500	3.204

Note:
* Pipe Size Approximate. ID equals copper tube OD.

Strut Clamp for Elastomeric Insulated Tube or Pipe Fig. ASCTK7

Insulation Wall Thickness	Clamp ID	Tube OD	Pipe Size*	A	B	C
¾	3.25	1⅝	1¼	4.252	1.625	3.454
¾	3.75	2⅞	1½	4.817	1.875	3.980
¾	4.25	2⅝	2	5.321	2.125	4.480
¾	4.75	3⅞	2½	5.825	2.375	4.980
¾	5.75	4⅞	3½	6.831	2.875	5.980
1	2.5	¾	-	3.492	1.250	2.704
1	2.75	½	-	3.746	1.375	2.954
1	2.75	⅝	¼	3.746	1.375	2.954
1	2.875	¾	-	3.873	1.438	3.079
1	3	⅞	½	3.999	1.500	3.204
1	3.25	1⅞	¾	4.252	1.625	3.454
1	3.5	1⅞	1	4.504	1.750	3.704
1	3.75	1⅞	1¼	4.817	1.875	3.980
1	4.25	2⅞	1½	5.321	2.125	4.480
1	4.75	2⅝	2	5.825	2.375	4.980
1	5.25	3⅞	2½	6.328	2.625	5.480
1	5.75	3⅝	3	6.831	2.875	5.980
1½	3.5	¾	-	4.504	1.750	3.704
1½	3.75	½	-	4.817	1.875	3.980
1½	3.75	⅝	¼	4.817	1.875	3.980
1½	4	⅞	½	5.069	2.000	4.230
1½	4.25	1⅞	¾	5.321	2.125	4.480
1½	4.625	1⅞	1	5.699	2.313	4.855
1½	4.75	1⅞	1¼	5.825	2.375	4.980
1½	5.25	2⅞	1½	6.328	2.625	5.480
1½	5.75	2⅝	2	6.831	2.875	5.980
1½	6.25	3⅞	2½	7.240	3.125	6.480

Note:
* Pipe Size Approximate. ID equals copper tube OD.